

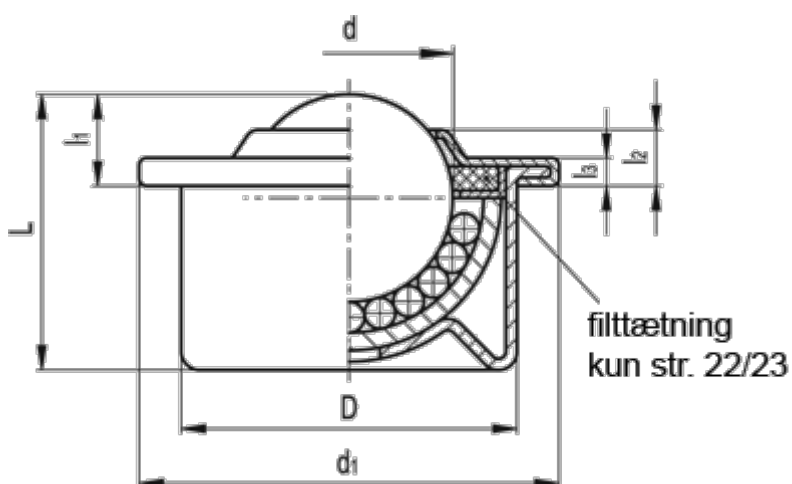
Data Sheet



Article number: 20605028

Description: E+G Ball transfer unit
GN 509-30-SNI

Measures



d = 30.1

D = 45

d1 = 55

L +/-0.3 = 38.0

l1 +/-0,3 = 13.5

l2 +/-0.3 = 7

l3 = 3.5

Max load (N) = 1500

Weight (g) = 265